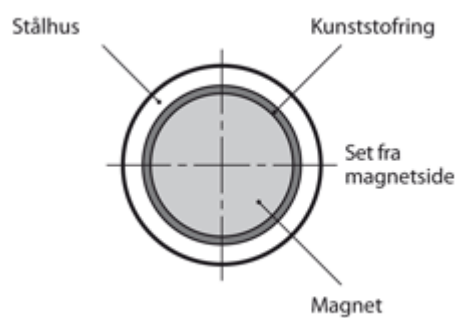
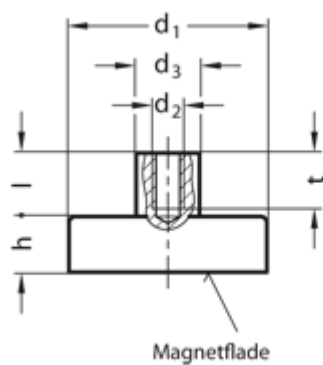


Article number: 201221391B

Description: E+G Magnet - female thread GN 50.2-SC-13-M3
SC Samarium cobalt, 200°C, 40N

Measures



d1 = 13 ±0,1

d2 = M3x7

d3 = 6 ±0,1

h = 4,5 ±0,1

Holding force N = 40

Material = SC Samarium cobalt - 200° C

t = 6